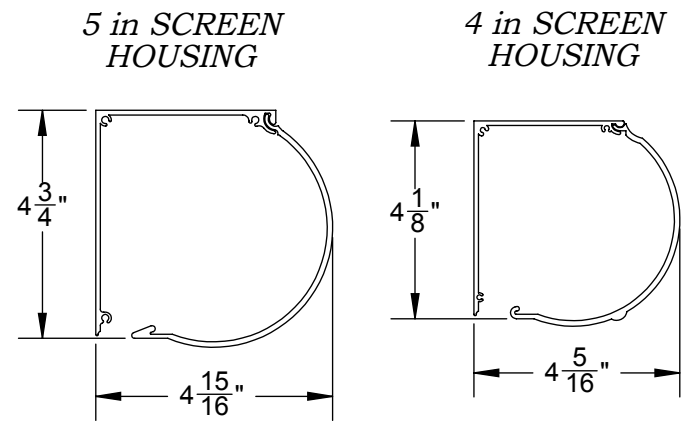
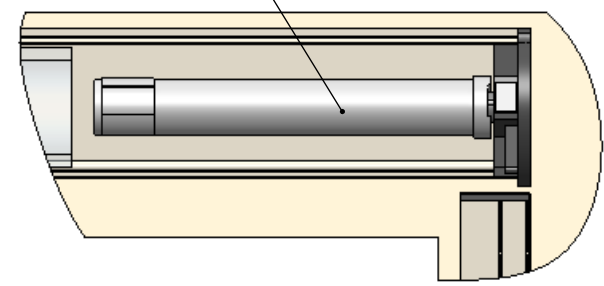


DETAIL A
SCALE 1 : 4

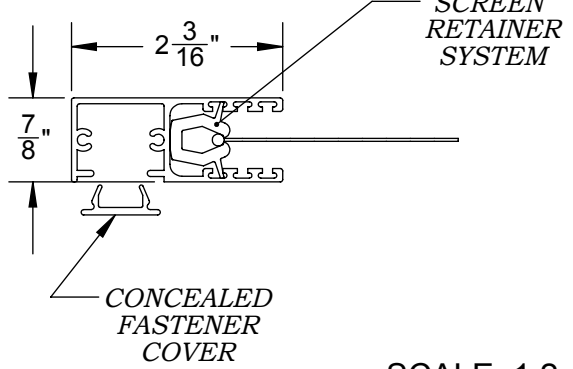


SCREEN ROLLER
DRIVE MOTOR
MOUNTS R or L



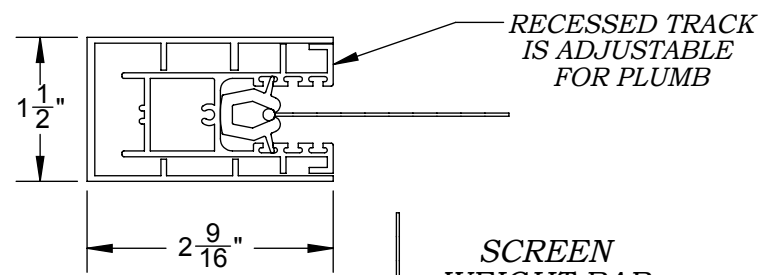
MOTOR SPECIFICATIONS		
SOMFY ALTUS RTS (3' - 12')		
120 VAC	60Hz	1.1 amp
53 in lb	TORQUE	38 rpm
SOMFY ALTUS RTS (13' - 22' 6")		
120 VAC	60 Hz	1.3 amp
88 in lb	TORQUE	38 rpm

**SURFACE MOUNTED
SIDE GUIDE TRACK
ASSEMBLY**

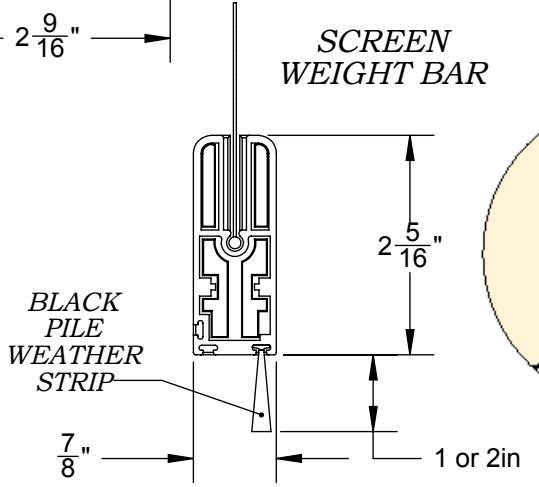


SCALE 1:2

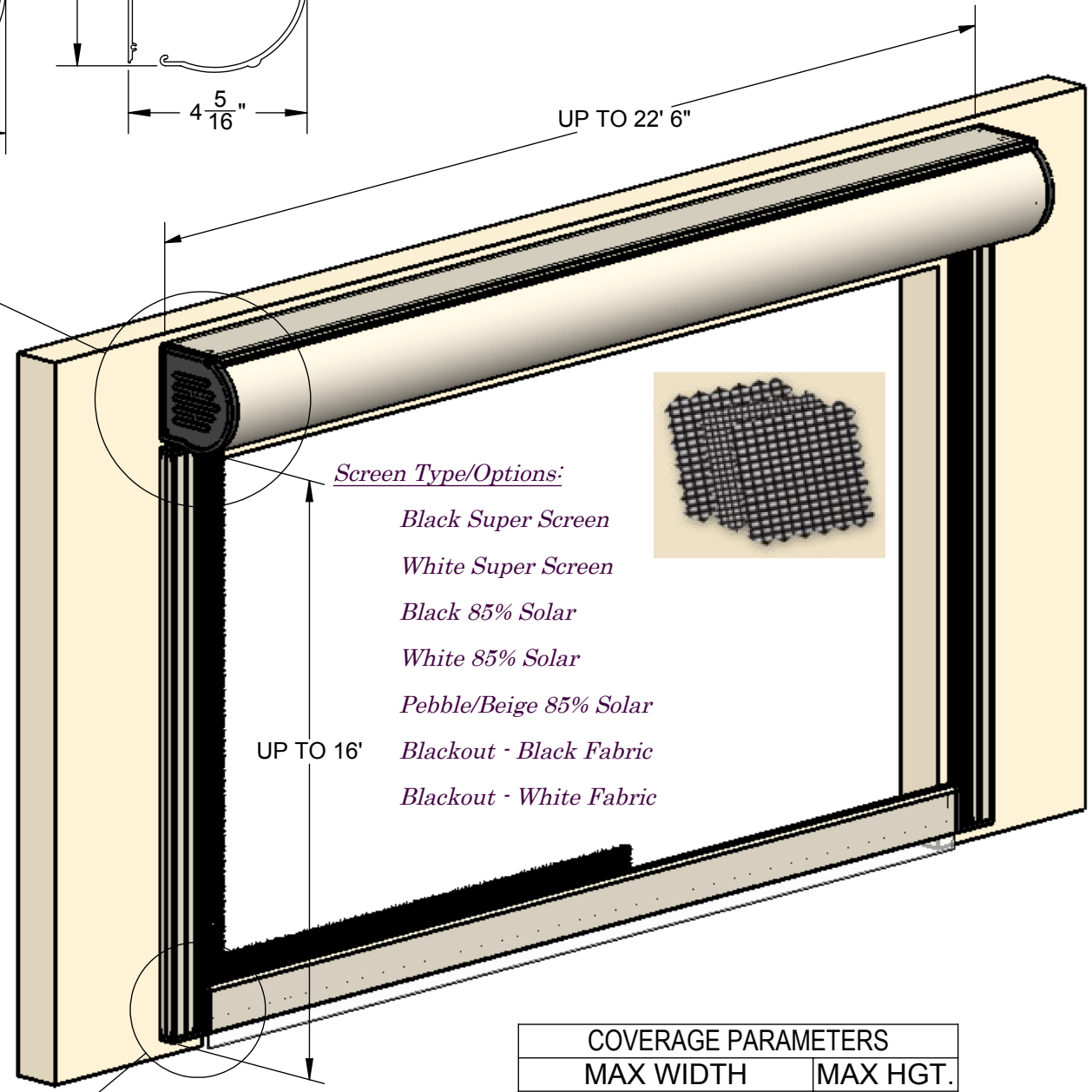
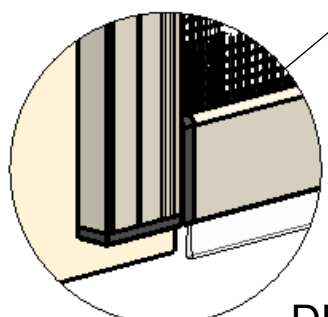
**RECESSED INSTALLATION
OPTIONAL TRACK ASSY.**



SCREEN
WEIGHT BAR

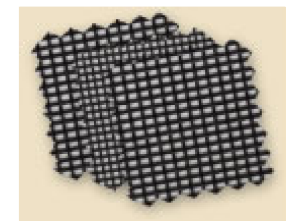


DETAIL B
SCALE 1 : 4



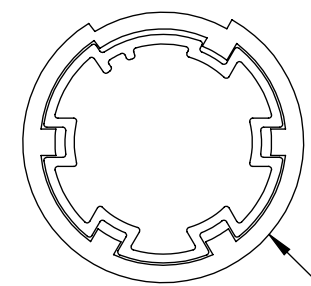
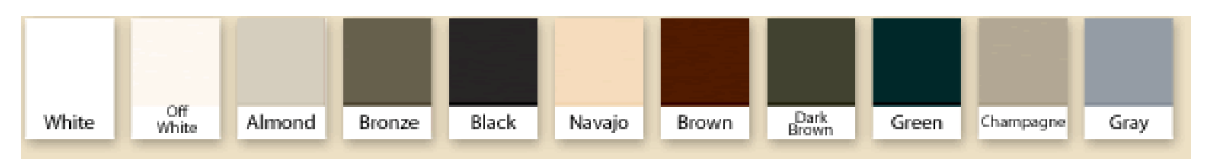
Screen Type/Options:

- Black Super Screen
- White Super Screen
- Black 85% Solar
- White 85% Solar
- Pebble/Beige 85% Solar
- Blackout - Black Fabric
- Blackout - White Fabric

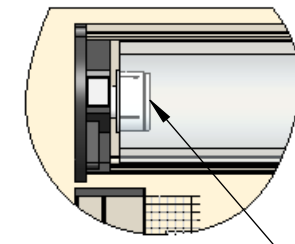


COVERAGE PARAMETERS	
MAX WIDTH	MAX HGT.
22' 6"	16'

Color Options Available for Aluminum Housing & Frames



SCREEN ROLLER
ASSEMBLY



SCREEN ROLLER
IDLER ASSEMBLY



TITLE **POWER SCREEN**

SIZE	DWG. NO.	DATE	REV.
B	ARC SPEC-102	2/09	NC
DO NOT SCALE			SHEET 1 OF 1